

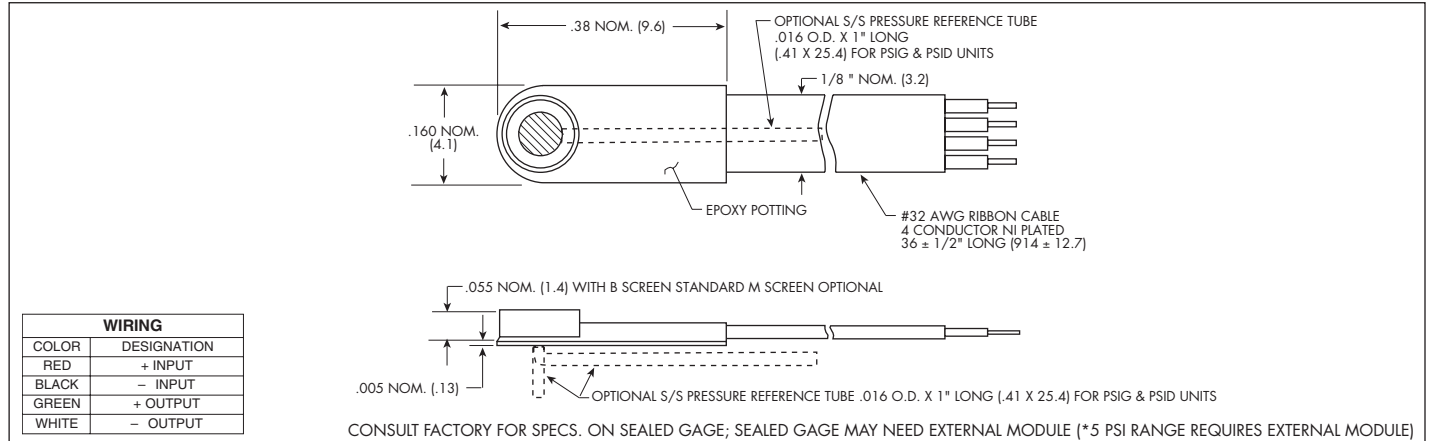
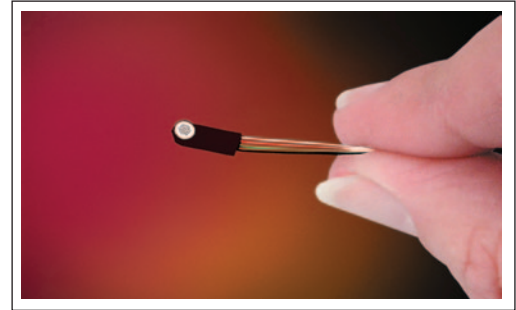


HIGH TEMPERATURE THIN LINE IS® PRESSURE TRANSDUCER

LLHT-080 SERIES LLHT-125 SERIES

- Patented Leadless Technology
- Excellent Stability
- High Natural Frequency
- High Temperature Capabilities
-65°F To +450°F
- Ideal For Flight Test & Wind Tunnel Applications

The LLHT Series features Kulite's Patented Leadless Technology and demonstrates Kulite's ability to provide pressure transducers suited for adaptation into custom packages. These devices can be integrated into various test articles such as fan blades, engine nozzles of various types, etc. The features of these transducers include small foot print, high natural frequency, extreme resistance to vibration and shock, and wide temperature range.



INPUT Pressure Range	0.35 *5	0.7 10	1.7 25	3.5 50	7 100	17 250	35 BAR 500 PSI
Operational Mode	Absolute, Gage, Sealed Gage, Differential					Absolute, Sealed Gage	
Over Pressure	2 Times Rated Pressure With No Change In Calibration						
Burst Pressure	3 Times Rated Pressure						
Pressure Media	All Nonconductive, Noncorrosive Liquids or Gases (Most Conductive Liquids and Gases - Please Consult Factory)						
Rated Electrical Excitation	10 VDC/AC						
Maximum Electrical Excitation	15 VDC/AC						
Input Impedance	1000 Ohms (Min.)						
OUTPUT Output Impedance	1000 Ohms (Nom.)						
Full Scale Output (FSO)	100 mV (Nom.)						
Residual Unbalance	± 5 mV (Typ.)						
Combined Non-Linearity, Hysteresis and Repeatability	± 0.1% FSO BFSL (Typ.), ± 0.5% FSO (Max.)						
Resolution	Infinitesimal						
Natural Frequency (KHz) (Typ.)	150	175	240	300	380	550	700
Acceleration Sensitivity % FS/g Perpendicular	1.5x10 ⁻³	1.0x10 ⁻³	5.0x10 ⁻⁴	3.0x10 ⁻⁴	1.5x10 ⁻⁴	1.0x10 ⁻⁴	6.0x10 ⁻⁵
Transverse	2.2x10 ⁻⁴	1.4x10 ⁻⁴	6.0x10 ⁻⁵	4.0x10 ⁻⁵	2.0x10 ⁻⁵	9.0x10 ⁻⁶	6.0x10 ⁻⁶
Insulation Resistance	100 Megohm Min. @ 50 VDC						
ENVIRONMENTAL Operating Temperature Range	-65°F to +450°F (-55°C to +235°C)						
Compensated Temperature Range	80°F to +450°F (25°C to +235°C)						
Thermal Zero Shift	± 1% FS/100°F (Typ.)						
Thermal Sensitivity Shift	± 1% /100°F (Typ.)						
Steady Acceleration	30,000g. (Max.)						
Linear Vibration	10-2,000 Hz Sine, 100g. (Max.)						
PHYSICAL Electrical Connection	4 Conductor 32 AWG Ni Plated Ribbon Cable 36" Long						
Weight	.2 Gram (Nom.) Excluding Module and Leads						
Pressure Sensing Principle	Fully Active Four Arm Wheatstone Bridge Dielectrically Isolated Silicon on Silicon Patented Leadless Technology						

Note: Custom pressure ranges, accuracies and mechanical configurations available. Dimensions are in inches. Dimensions in parenthesis are in millimeters. Continuous development and refinement of our products may result in specification changes without notice - all dimensions nominal. (G)