



MINIATURE 4-20mA OUTPUT IS® PRESSURE TRANSDUCER

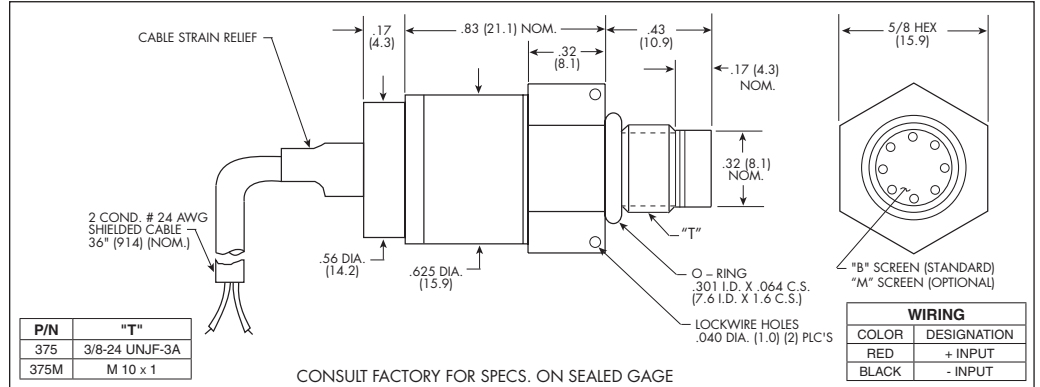
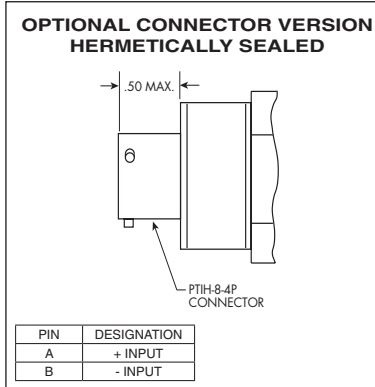
ETM-200-375 (M) SERIES

- 4-20mA Output
- 2 Wire Operation
- Hybrid Microelectronic Signal Conditioner
- Silicon on Silicon Integrated Sensor **VIS®**
- Flush Diaphragm
- All Welded Construction
- Secondary Containment On Absolute And Sealed Gage Units
- Aerospace Quality Components
- 3/8-24 UNJF or M10 X 1 Thread
- Intrinsically Safe Applications Available (i.e. IS-ETM-200-375)



ETM-200-375 and ETM-200-375M transducers employ the same approach to transducer construction as the standard ETM-375 and ETM-375M series. The Kulite proprietary electronics module in this product line, however, provides a current output signal (4 to 20

mA). These instruments are an excellent choice for applications requiring the current output signal but in which space and/or weight are at a premium.



INPUT	17	35	70	170	350	700	1400 BAR
Pressure Range	250	500	1000	2500	5000	10000	20000 PSI
Operational Mode	Absolute, Gage, Sealed Gage						
Over Pressure	2 Times Rated Pressure to 1000 PSI (70 BAR) 1.5 Times Rated Pressure Above 1000 PSI to a Max. of 30000 PSI (2100 BAR)						
Burst Pressure	3 Times Rated Pressure to a Max. of 35000 PSI (2400 BAR)						
Pressure Media	Any Liquid or Gas Compatible With 15-5 PH or 316 Stainless Steel						
Minimum Voltage Required	9 V Minimum Voltage Required Across The Input and Output Wires						
Rated Electrical Excitation	12 - 32 VDC						
OUTPUT							
Output	4 - 20 mA						
Bandwidth (-3dB)	DC to 750 Hz						
Combined Non-Linearity, Hysteresis and Repeatability	± 0.1% FSO BFSL (Typ.), ± 0.5% FSO (Max.)						
Resolution	Infinitesimal						
Natural Frequency (KHz) (Typ.)	Greater Than 400 KHz						
Acceleration Sensitivity % FS/g Perpendicular Transverse	2.2x10 ⁻⁴ 1.0x10 ⁻⁵	1.1x10 ⁻⁴ 7.0x10 ⁻⁶	6.2x10 ⁻⁵ 4.3x10 ⁻⁶	2.6x10 ⁻⁵ 2.3x10 ⁻⁶	1.5x10 ⁻⁵ 1.5x10 ⁻⁶	1.3x10 ⁻⁵ 1.3x10 ⁻⁶	8.0x10 ⁻⁶ 1.0x10 ⁻⁶
Insulation Resistance	100 Megohm Min. @ 50 VDC						
ENVIRONMENTAL							
Operating Temperature Range	-65°F to +250°F (-55°C to +120°C)						
Compensated Temperature Range	0°F to +212°F (-18°C to +100°C) Other Ranges Quoted on Request						
Thermal Zero Shift	± 1% FS/100° F (Typ.)						
Thermal Sensitivity Shift	± 1% /100° F (Typ.)						
Linear Vibration	100g Peak, Sine up to 5000 Hz						
Altitude	-150 ft. to +70,000 ft. Will Not Damage Sensor						
Humidity	100% Relative Humidity						
Mechanical Shock	100g half Sine Wave 11 msec. Duration						
PHYSICAL							
Electrical Connection	2 Conductor 24 AWG Shielded Cable 36" Long						
Weight	24.5 Grams (Max.) Excluding Cable						
Pressure Sensing Principle	Fully Active Four Arm Wheatstone Bridge Dielectrically Isolated Silicon on Silicon						
Mounting Torque	80 Inch-Pounds (Max.)						

Note: Custom pressure ranges, accuracies and mechanical configurations available. Dimensions are in inches. Dimensions in parenthesis are in millimeters.

Continuous development and refinement of our products may result in specification changes without notice - all dimensions nominal. (I)

KULITE SEMICONDUCTOR PRODUCTS, INC. • One Willow Tree Road • Leonia, New Jersey 07605 • Tel: 201 461-0900 • Fax: 201 461-0990 • <http://www.kulite.com>