

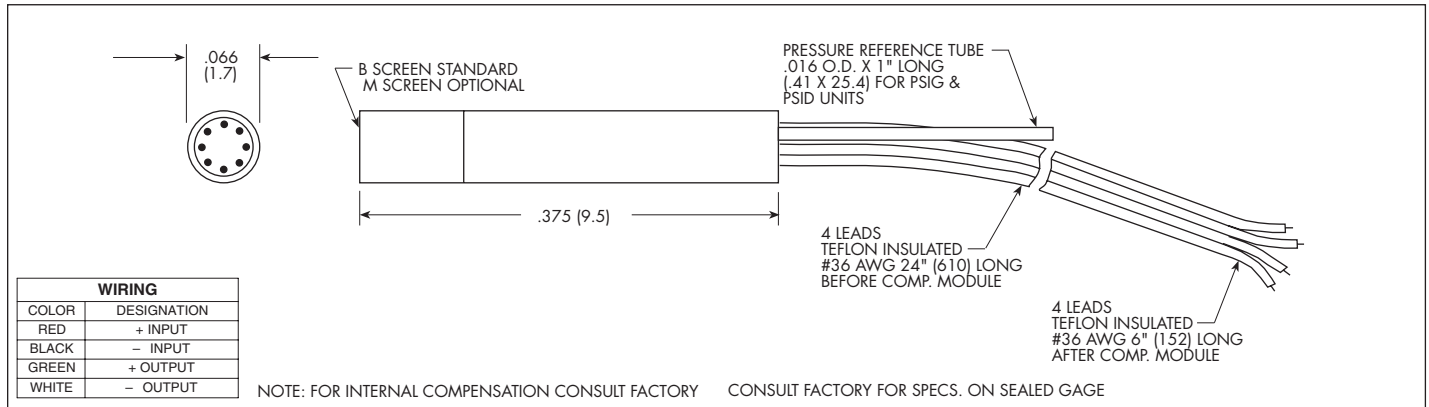
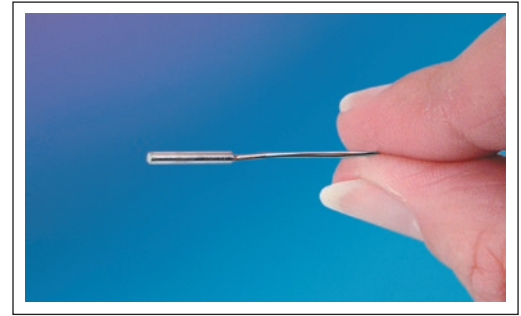


# CRYOGENIC ULTRAMINIATURE IS® PRESSURE TRANSDUCER

## CCQ-062 SERIES

- Cryogenic Operation -320°F to +250°F (-195.5°C to +120°C)
- Available All Standard Pressure Ranges
- Ideal For Wind Tunnel Applications
- Excellent Static And Dynamic Performance
- Rugged

Similar in design to the XCQ-062 Series, these sensors are specifically intended for use in cryogenic wind tunnels. The extremely good low temperature stability of Kulite IS® Sensors make them ideally suited for this application.



INPUT Pressure Range	0.35 5	0.7 10	1.7 25	3.5 50	7 100	17 250	35 500	70 BAR 1000 PSI
Operational Mode	Absolute, Gage, Sealed Gage, Differential					Absolute, Sealed Gage		
Over Pressure	2 Times Rated Pressure With No Change In Calibration							
Burst Pressure	3 Times Rated Pressure							
Pressure Media	All Nonconductive, Noncorrosive Liquids or Gases							
Rated Electrical Excitation	10 VDC/AC							
Maximum Electrical Excitation	15 VDC/AC							
Input Impedance	1000 Ohms (Min.)							
<b>OUTPUT</b> Output Impedance	1000 Ohms (Nom.)							
Full Scale Output (FSO)	100 mV (Nom.)							
Residual Unbalance	± 5 mV (Typ.)							
Combined Non-Linearity, Hysteresis and Repeatability	± 0.1% FSO BFSL (Typ.), ± 0.5% FSO (Max.)							
Resolution	Infinitesimal							
Natural Frequency (KHz) (Typ.)	150	175	240	300	380	550	700	1000
Acceleration Sensitivity % FS/g Perpendicular	1.5x10 <sup>-3</sup>	1.0x10 <sup>-3</sup>	5.0x10 <sup>-4</sup>	3.0x10 <sup>-4</sup>	1.5x10 <sup>-4</sup>	1.0x10 <sup>-4</sup>	6.0x10 <sup>-5</sup>	2.0x10 <sup>-5</sup>
Transverse	2.2x10 <sup>-4</sup>	1.4x10 <sup>-4</sup>	6.0x10 <sup>-5</sup>	4.0x10 <sup>-5</sup>	2.0x10 <sup>-5</sup>	9.0x10 <sup>-6</sup>	6.0x10 <sup>-6</sup>	2.0x10 <sup>-6</sup>
Insulation Resistance	100 Megohm Min. @ 50 VDC							
<b>ENVIRONMENTAL</b> Operating Temperature Range	-320°F to +250°F (-195.5°C to +120°C)							
Compensated Temperature Range	-320°F to +100°F (-195.5°C to +38°C)							
Thermal Zero Shift	± 1% FS/100°F (Typ.)							
Thermal Sensitivity Shift	± 1% /100°F (Typ.)							
Steady Acceleration	10,000g. (Max.)							
Linear Vibration	10-2,000 Hz Sine, 100g. (Max.)							
<b>PHYSICAL</b> Electrical Connection	4 Leads 36 AWG 30" Long							
Weight	.2 Gram (Nom.) Excluding Module and Leads							
Pressure Sensing Principle	Fully Active Four Arm Wheatstone Bridge Dielectrically Isolated Silicon on Silicon							

Note: Custom pressure ranges, accuracies and mechanical configurations available. Dimensions are in inches. Dimensions in parenthesis are in millimeters. Continuous development and refinement of our products may result in specification changes without notice - all dimensions nominal. (D)